



EURO GRADE 3 (£35,000 cash rating)*

A safe tested to Grade 3 as well as providing a cash rating of up to £35,000 will also provide valuables cover of up to £350,000. This rule (x10) can be applied to the safes in all of the Securikey ranges.

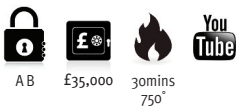
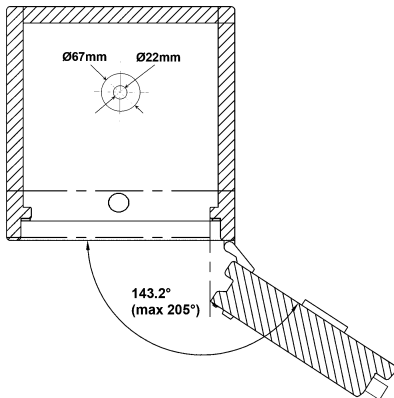
- Tested and certified according to EN 1143-1 Security Grade III.
- 3-way 40mm locking bolts, continuous hinge protection and a single high security key lock or digital keypad to EN1300.
- Fire resistant door seal and base fixing point with rear fixing option included as standard. Tested to BS476-20.
- Standard fittings include adjustable shelving and an alarm connection loop.
- Optional fittings include a lockable inner compartment, metal door pocket and a rotary or tube deposit facility.
- Dual locking available on all models.
- Bespoke RAL colours available – please contact us for details.



Lockable Compartment



Solid External Hinges & Fire Seal



EURO GRADE 3 SINGLE KEY LOCKING

Model	External Dimensions (mm)			Internal Dimensions (mm)			Approx. Weight (kg)	Volume (l)	Lever Arch Files	Shelves
	Height	Width	Depth ¹	Height	Width	Depth				
3070N	600	535	464	509	455	305	275	71	6	1
3095N	785	535	464	694	455	305	340	96	12	1
3175N	955	610	544	864	530	385	480	176	14	2
3215N	1,135	610	544	1,044	530	385	550	213	21	2
3285N	1,490	610	544	1,399	530	385	660	285	28	3
3395N	1,490	760	574	1,399	680	415	830	395	36	3
3440N	1,315	760	689	1,224	680	530	860	441	27	2
3535	1,850	840	580	1,720	730	415	990	521	45	4
3780 ²	1,850	1,190	580	1,720	1,080	415	1,305	771	70	4

¹45mm extra depth with handle and different locks. ²Double doors. • Dual locking available on all models.

*Insurance ratings may vary dependent on risk & location. Please check with your insurers.

MULTIPLE LOCKING OPTIONS AVAILABLE – SEE PAGE 5 • DEPOSIT OPTIONS AVAILABLE – SEE PAGE 26