

Secure Safe Trend I

for protection of cash and valuables

• £1,000 cash rating

For some homeowners and small businesses, the requirement is for a quality cash safe within a limited budget. A solution which securely protects a wide range of valuables (e.g. jewellery, camera and passports). The most cost-efficient solution is the Secure Safe Trend I from SecureLine. Based on a steel construction, the safe offers £1000 cash rating, electronic LCD locking, removable shelf, fixing kit and a choice of six sizes. Combining so many quality features at a low price illustrates SecureLine's position as the only budget security brand to own. Many would agree...

Models

- The Secure Safe Trend I is available in six models, all designed to hold cash and valuables
- For storing binders we recommend model 44 in which the binders can be stored vertically



Construction

- The Trend I range is constructed with an 8 mm solid steel door and 3 mm steel body. Increased security is achieved by hardened steel plates which protect lock, bolt-work and bolts against drilling
- The durable bolt-work has 2 or 4 bolts, which are chrome plated and have a diameter of 25 mm

Locking

- The safes are available with a double bitted key lock or electronic PIN-code lock (6 digits) with a LCD-display
- Override key supplied with electronic version

Additional features

- Fixing kit allows DIY securing of safe to floor and/or wall
- In addition the safes are supplied with a removable shelf as standard (except model 18)

Design

- The Trend range has modern styling and will complement any user environment
- The safes are in two-tone colour powder coated finish; light grey and dark grey

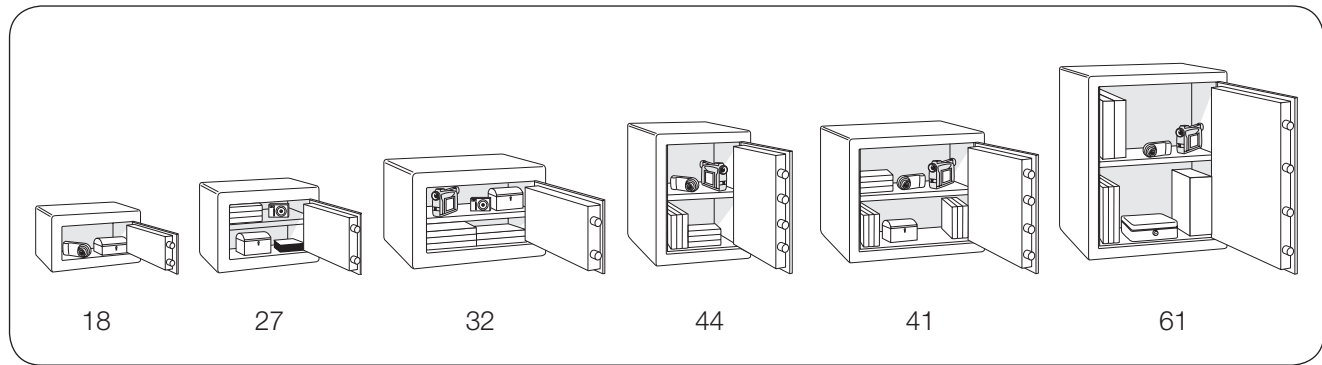


from **Chubb**safes



Secure Safe Trend I

Models



Product data

Key lock

| Model | Article No. | External dimensions (mm) | | | Internal dimensions (mm) | | | Volume (litres) | Weight (kg) | Shelf (qty) | Bolts (qty) |
|--------|-------------|--------------------------|-------|-------|--------------------------|-------|-------|-----------------|-------------|-------------|-------------|
| | | Height | Width | Depth | Height | Width | Depth | | | | |
| TI-18K | SL02400 | 180 | 310 | 205 | 170 | 300 | 150 | 8 | 12 | N/A | 2 |
| TI-27K | SL02401 | 270 | 350 | 345 | 260 | 340 | 290 | 26 | 20 | 1 | 2 |
| TI-32K | SL02402 | 320 | 440 | 395 | 310 | 430 | 340 | 46 | 32 | 1 | 2 |
| TI-44K | SL02403 | 440 | 320 | 395 | 430 | 310 | 340 | 46 | 32 | 1 | 4 |
| TI-41K | SL02404 | 410 | 460 | 395 | 400 | 450 | 340 | 62 | 39 | 1 | 4 |
| TI-61K | SL02405 | 610 | 460 | 395 | 600 | 450 | 340 | 93 | 55 | 1 | 4 |

Electronic lock

| Model | Article No. | External dimensions (mm) | | | Internal dimensions (mm) | | | Volume (litres) | Weight (kg) | Shelf (qty) | Bolts (qty) |
|--------|-------------|--------------------------|-------|-------|--------------------------|-------|-------|-----------------|-------------|-------------|-------------|
| | | Height | Width | Depth | Height | Width | Depth | | | | |
| TI-27E | SL02407 | 270 | 350 | 345 | 260 | 340 | 290 | 26 | 20 | 1 | 2 |
| TI-32E | SL02408 | 320 | 440 | 395 | 310 | 430 | 340 | 46 | 32 | 1 | 2 |
| TI-44E | SL02409 | 440 | 320 | 395 | 430 | 310 | 340 | 46 | 32 | 1 | 4 |
| TI-41E | SL02410 | 410 | 460 | 395 | 400 | 450 | 340 | 62 | 39 | 1 | 4 |
| TI-61E | SL02411 | 610 | 460 | 395 | 600 | 450 | 340 | 93 | 55 | 1 | 4 |

SecureLine policy is one of constant improvement. The above specification may therefore be altered without prior notification.

www.secureline.co.uk

Authorised dealer:



from **Chubb**safes

printed by weav design - www.weav.co.uk